



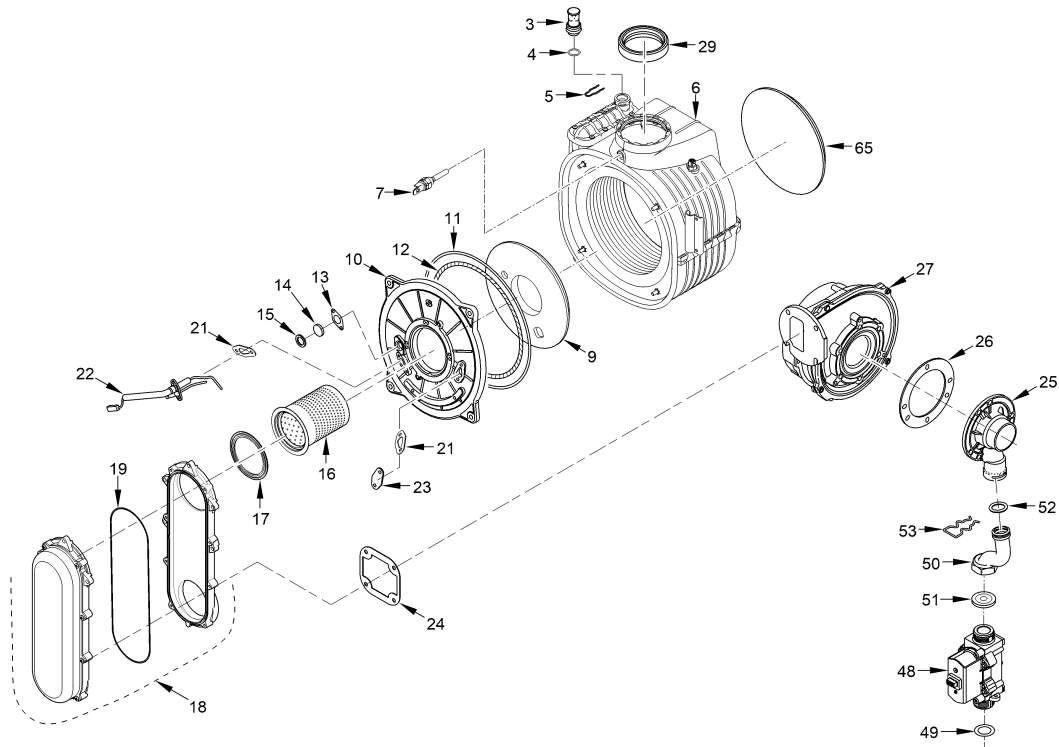
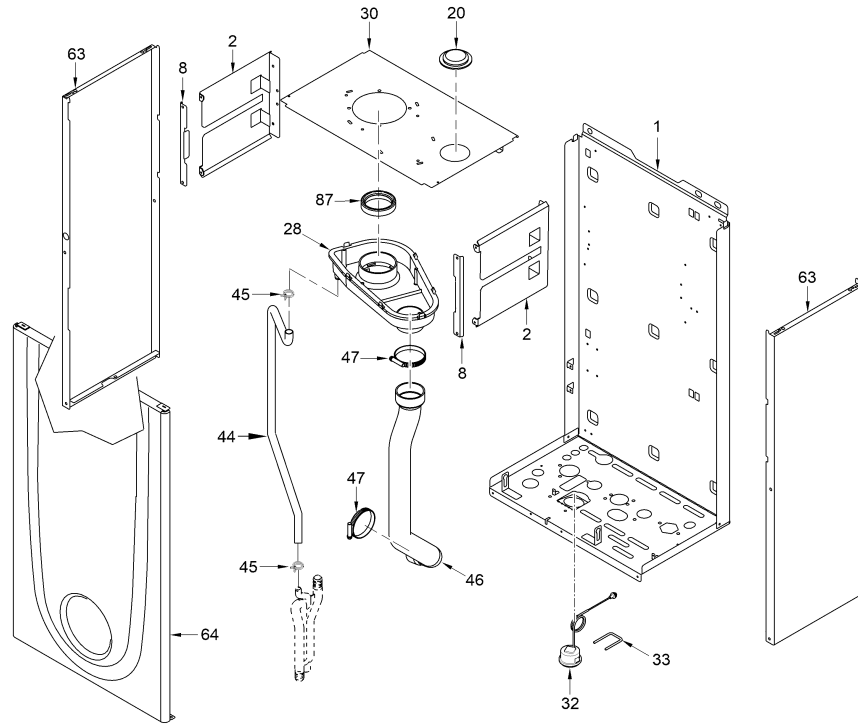
Fonderie Sime S.p.A. - Via Garbo, 27 - 37045 Legnago (VR) - [www.sime.it](http://www.sime.it)  
Tribunale Verona 13531 - R.E.A. VR 171357 - C.C.P. 19423375 - N° Mecc. VR 014435  
Capitale Sociale Euro 5.521.200 int. versato - Codice Fiscale/Partita IVA n. IT 01275930236

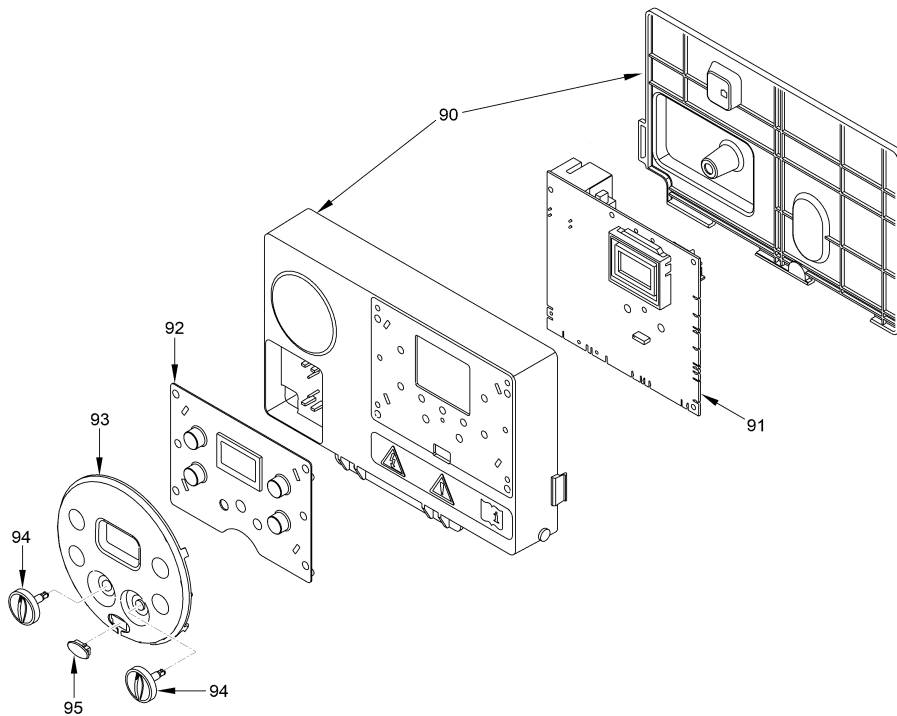
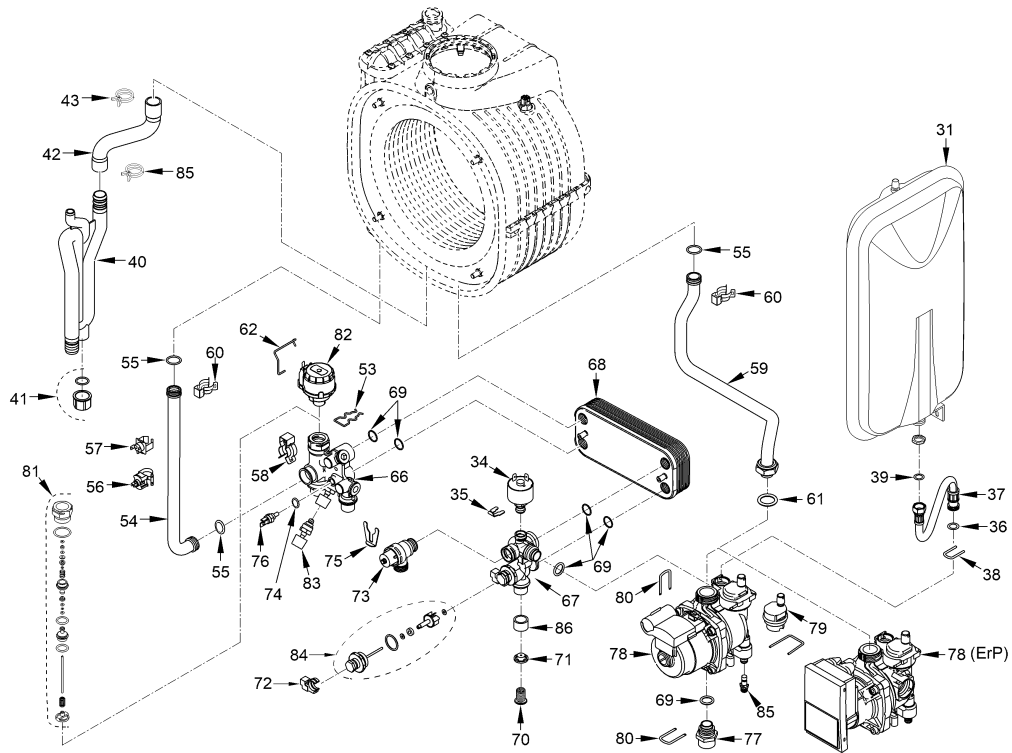
Comfort Ambiente - Via Garbo, 27 - 37045 Legnago (VR)

Tel +39 0442 631111 - Fax Servizio Commerciale: Italia +39 0442 631291 - Estero +39 0442 631293

Fax Servizio Tecnico +39 0442 631292 - Fax Ufficio Acquisti +39 0442 631292 - Fax Amministrazione +39 0442 631336

8114206 CALD.MET. BRAVA ONE HE 40 ErP





**ATTENTION: use only original spare parts. Failure to comply with the above may compromise the safety of the device and the immediate forfeiture of the warranty.**

Position	Code	Description	Where used	Advised parts	Price list
001A	6264565	Boiler fixing bracket			87.35
002A	6010894	Support exchangers bracket			18.16
003	6147412	Plug for air vent connection			5.4
004	6226464	O-ring 115 diam. 11,91x2,62			1.34
005	6226624	Spring air vent knob			10.85
006A	6278910	Main exchanger body			753.21
007	6277130	Probe NTC D.4X40		A	20.32
008	6010892	Support exchangers bracket			0.85
009	6269008	Main exchanger door insulation			18.97
010	5188361	Main exch.door+gasket+peephole			68.05
011	6248870	Combustion chamber O-ring			5.74
012	6248871	Glass fibre sealing cord			5.61
013	6311810	Glass fixing flange			4.0
014	6020103	Sight glass			3.76

015	6248872	Sight glass gasket		2.87
016A	8076116	Burner + gasket kit		73.86
017	6174828	Gasket for burner flange		6.26
018	6278806	Air-gas hose group		48.76
019	6174819	Air-gas hose gasket		10.52
021	6174809	Gasket for ignition electrode		2.71
022	6221670	Ignition-ionisation electrode	A	37.7
023	6285950	Bracket		0.9
024	6174816	Gasket for fan flange		1.34
025A	6274391	Air/gas mixer		10.01
026	6028703	Gasket for duct flange	TO S.N.	5.4
026A	6028716	Gasket for fan/mixer	FROM S.N.	2.71
027	6261412	Fan	A	228.94
028	6278703	Smoke chamber		15.0
029	6248828	Air inlet gasket Ø80		5.4
030A	6291151	Upper protection shield		51.32
031A	5183730	Rectang. expansion vessel L.10		101.1
032	6146101	Hydrometer		20.32
033	6226628	Hydrometer Fixing spring		1.34
034	6037510	Water pressure switch		15.31
035	6226639	Spring clip		1.31
036	6226476	ORing diam.15x2		0.75
037	6017405	Flexible pipe M.F. 3/8" L=300		7.41
038	6226643	Pipe fixing spring		1.02
039	2030226	Gasket Ø 10,2x14,8x2		0.7
040	6277211	Water trap		12.89
041	6119381	Cap G 1/2"		6.0
042	6034155	Condensate drainage pipe		6.77
043	2051123	Clamp diam.		0.7
044	1010215	Rubber pipe dia. 15x2,5		13.52
045	2051120	Clamp diam. 17,3		1.34
046	6001162	Air intake pipe 40		17.6
047	2051203	Hose clamp Ø 40-60		9.41
048	6243838	Gas valve	A	65.64
049	2030249	Gasket Ø 24x17x3		0.7
050A	6277446	Pipe connecting gas valve-mixer		9.7
051A	6050472	Nozzle 650	MET / GPL	7.88
052	6226477	Rubber gasket OR Ø 17x3		0.48
053	6226636	D.H.W. elektrovalve fix.spring		1.31
054A	6227466	Flowing pipe to C.H. system		8.5
055	6226412	O-ring 3068		1.34
056	6231372	Temperature sensor	A	12.13
057	6146729	100°C safety stat	A	9.2
058	6226601	Spring for heat exchanger conne		2.71
059	6227539	Return pipe from C.H. system		14.55
060	6226619	Spring for heat exchanger conne		5.4
061	2030267	Piracriten gasket Ø 30x17x2		0.82
062	6226638	Divertor valve motor spring cli		2.49
063A	6304465	casing left/right side panel		58.43
064	6325030	Casing front panel		38.31
065	6281545	Replacement rear insulat. kit		32.3
066	6265870	C.H. flow manifold		73.5
067	6265832	C.H. return manifold	A	35.0
068B	6265658	16 plate-type heat exchanger		72.7
069	6226475	ORing diam.18,64x3,53		0.33
070	6222003	D.H.W. filter		0.33
072	6131440	Flowmeter sensor	A	10.21
073	6040225	Pressure relief valve 1/2" 3 ba	A	4.8
074	6022010	Sensor gasket		1.34
075	6226645	Spring clip		1.26
076	6231351	Plunged sensor	A	10.85
077	6120560	Pump nipple 3/4"		11.28
078C	6272323	Modulating circulating pump		249.61
079	6013182	Automatic air vent	A	18.55
080	6226644	Spring clip for rotating connec		0.64
081	6319645	Three-way plates group	A	16.91
082	6087332	Motor for diverting valve	A	33.21
083	6319639	Filling cock		22.98
084	6319644	Flowmeter group	A	15.31
085	2051122	Clamp		0.7
087	6248855	P.C. inlet/oulet smokes gasket		6.77
090	6304720	Control panel		29.22
091	6324930	Main PCB	A	159.24
092	6305130	Rubber button		7.27
093	6304830	Interface panel		8.15
094	6290150	Knob Ø 25		2.12
095	6305140	Rubber cap		1.13

702	6323875	6 pole cable connector CN12		13.13
703	6323876	4 pole cable connector CN14		2.76
705	6323872	9 pole cable connector CN1		9.41
706	6323873	6 pole cable connector CN2		6.26
709	6323892	14 pole cable connect. CN15+CN5		16.27
710	6281534	Gaskets kit		37.65
711	6319695	Murelle-Format-.....o-ring kit		20.05
712	6211794	Peephole kit + gasket		27.54
713	6319700	Springs / clamps kit DIN		26.2
714	5202501	Complete control panel	TO SN	0.0
715	6325626	Pump-fan 4 pole connect. CN13	TO SN	12.6
717	6226754	Rubber plug		8.15
718	5202503	Complete control panel	FROM SN	0.0
719	6329446	4 pole cable connector CN13	FROM SN	19.5

A = Spare parts for minimum fittings