



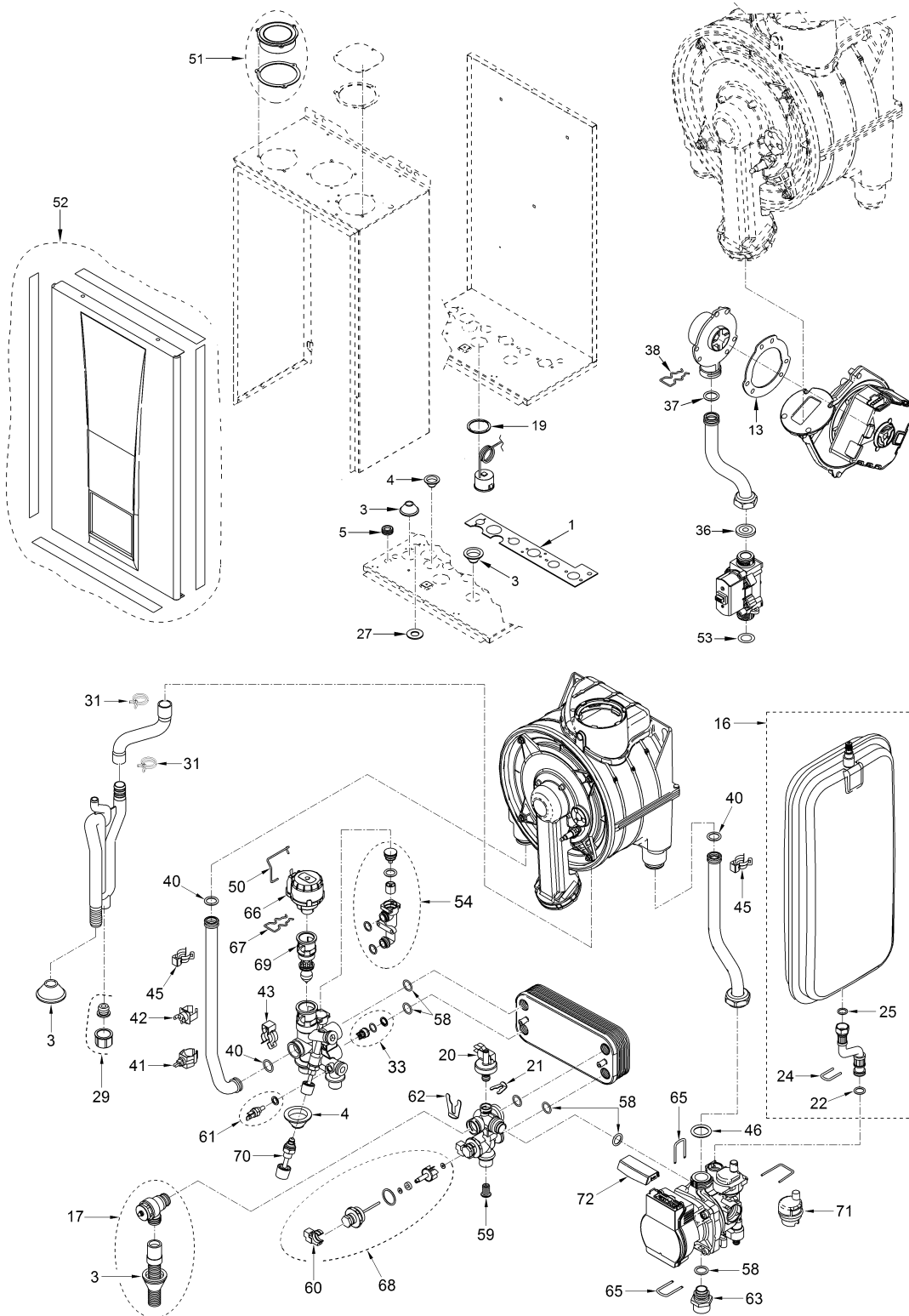
Fonderie Sime S.p.A. - Via Garbo, 27 - 37045 Legnago (VR) - www.sime.it
Tribunale Verona 13531 - R.E.A. VR 171357 - C.C.P. 19423375 - N° Mecc. VR 014435
Capitale Sociale Euro 5.521.200 int. versato - Codice Fiscale/Partita IVA n. IT 01275930236

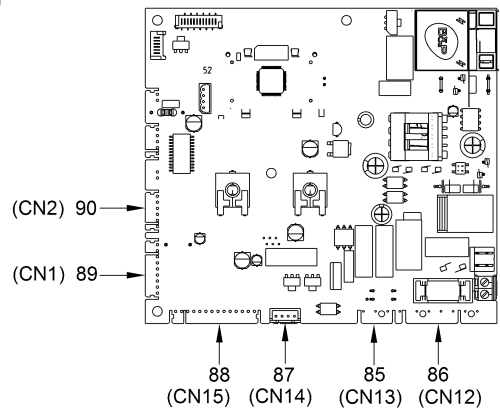
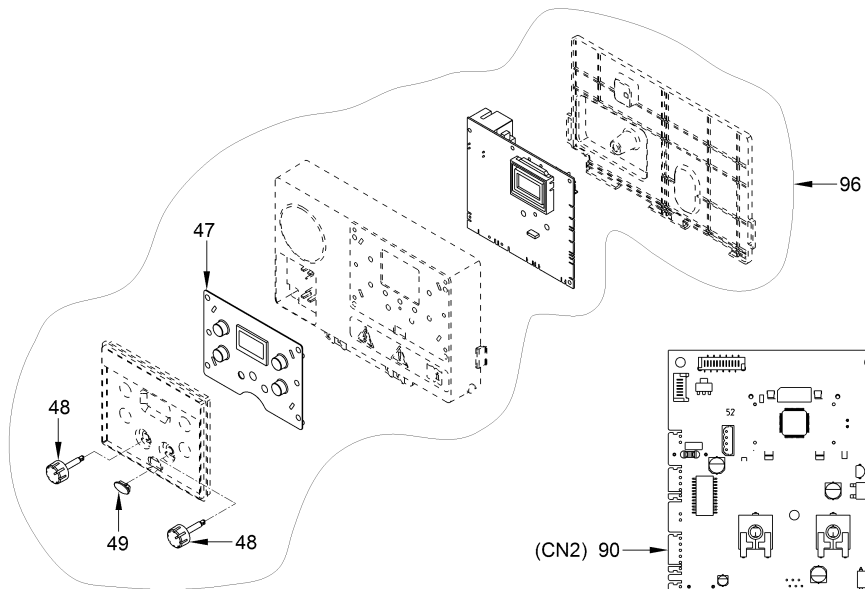
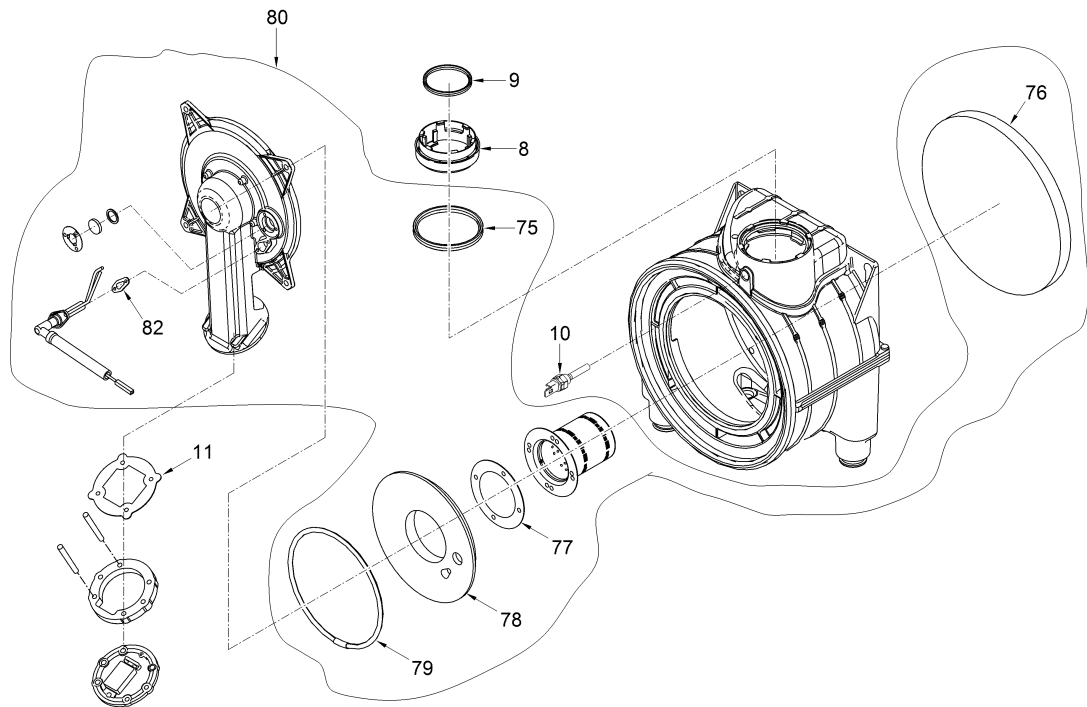
Comfort Ambiente - Via Garbo, 27 - 37045 Legnago (VR)

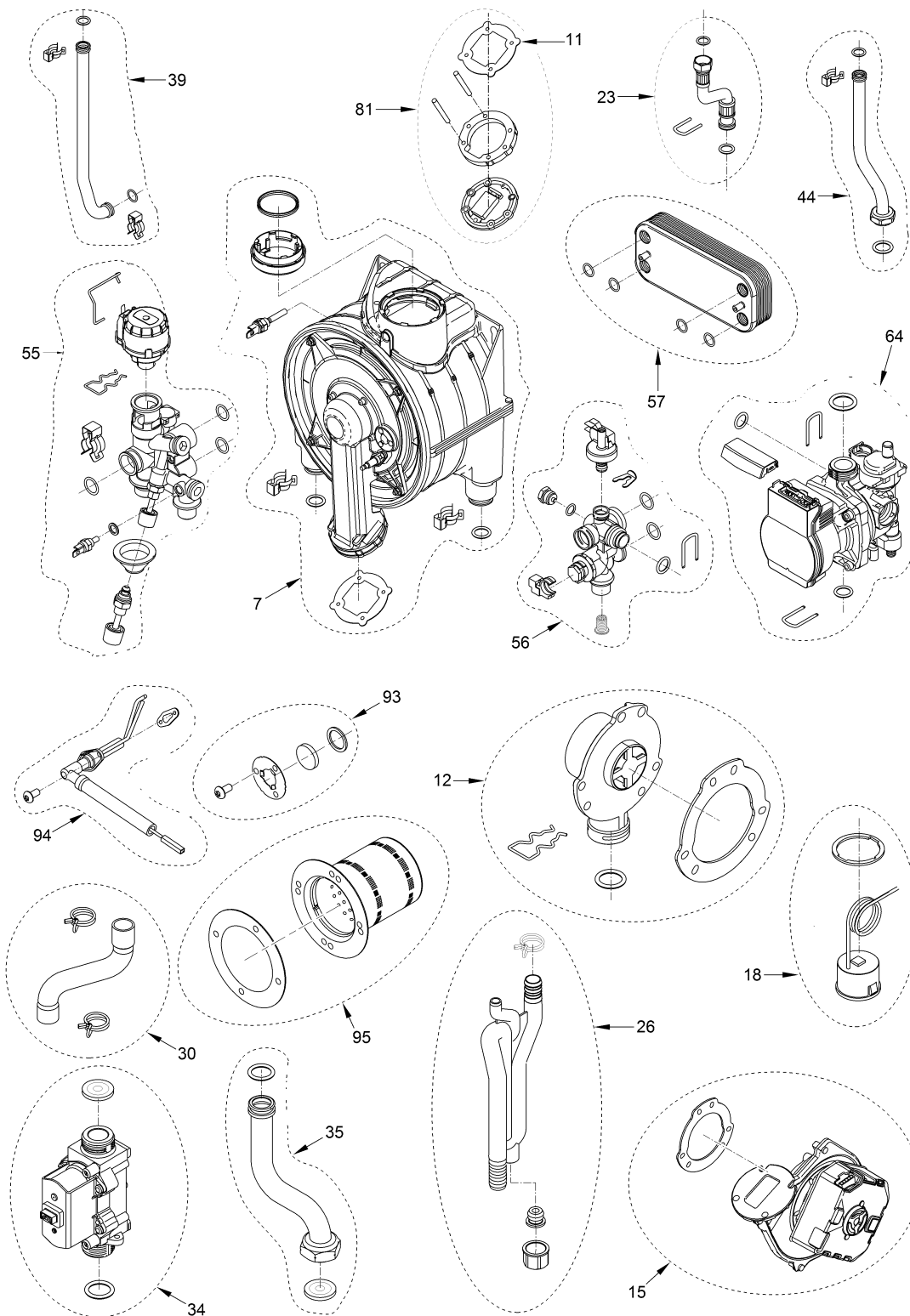
Tel +39 0442 631111 - Fax Servizio Commerciale: Italia +39 0442 631291 - Estero +39 0442 631293

Fax Servizio Tecnico +39 0442 631292 - Fax Ufficio Acquisti +39 0442 631292 - Fax Amministrazione +39 0442 631336

8116608 MIA HE 40 C10







ATTENTION: use only original spare parts. Failure to comply with the above may compromise the safety of the device and the immediate forfeiture of the warranty.

Position	Code	Description	Where used	Advised parts	Price list
001	6229885	Hydraulic group gasket			1.7
002	6226750	Silicone pipe ring ø128			2.54
003	6226753	Silicone pipe ring ø15X35			2.43
004	6226710	Silicon conical diaphragm Ø 18			2.71
005	6226719	Bushing			0.0
007	6281844	Heat exchanger+or+spring			533.9
008	6296548	Reducer DN 80-60			1.55
009	6248875	Gasket Ø 60			5.6
010	6277130	Probe NTC D.4X40		A	20.32
011	6174840	Gasket for fan flange			2.84
012	6281704	Group air/gas mixer			20.62
013	6028716	Gasket for fan/mixer			2.71
015	6261434	Fan		A	196.7
016	6281703	Expans. vess.+flex+spring			90.52

017	6281658	Safety valve kit 3 bar + plasti	A	17.33
018	6281670	Hydrometer + gasket		19.23
019	6229881	Gasket		0.55
020	6037512	Water pressure switch		7.28
021	6226639	Spring clip		1.31
022	6226476	ORing diam.15x2		0.75
023	6281632	Flex.pipe MF3/8" L=200 + or		0.0
024	6226643	Pipe fixing spring		1.02
025	2030226	Gasket Ø 10,2x14,8x2		0.7
026	6281764	Water trap group		37.81
029	5171635	Cap + gasket for water trap kit		6.0
030	6281662	Flexible pipe L=210 + spring		15.81
031	2051150	Clamp diam. 25		10.61
033	6281859	Restraint valve + seeger ring		4.55
034	6243838	Gas valve	A	65.64
035	6277476	Pipe connecting gas valve-mixer		12.75
036	6050474	Nozzle 630 met		0.0
037	6226477	Rubber gasket OR Ø 17x3		0.48
038	6226636	D.H.W. elektrovalve fix.spring		1.31
039	6281675	Flowing pipe C.H.system+or		25.47
040	6226412	O-ring 3068		1.34
041	6231372	Temperature sensor	A	12.13
042	6146729	100°C safety stat	A	9.2
043	6226601	Spring for heat exchanger conne		2.71
044	6281676	Return pipe C.H.system + or		27.79
045	6226619	Spring for heat exchanger conne		5.4
046	2030267	Piracriten gasket Ø 30x17x2		0.82
047	6305130	Rubber button		7.27
048	6290170	Knob Ø 20		1.77
049	6305140	Rubber cap		1.13
050	6226638	Divertor valve motor spring cli		2.49
051	6281674	Group air intake		13.91
052	6281667	Front panel + insulators		46.98
053	2030249	Gasket Ø 24x17x3		0.7
054	6319653	External by-pass kit	A	18.86
055	6281680	C.H.flow stepper manifold + or		103.05
056	6281640	C.H.ret.manif+or+wat.pres+filte		60.18
057	6319692	Kit 16 plate heat exchanger + o		72.7
058	6226475	ORing diam.18,64x3,53		0.33
059	6222003	D.H.W. filter		0.33
060	6131440	Flowmeter sensor	A	10.21
061	6281519	Plunged sensor + gasket	A	10.85
062	6226645	Spring clip		1.26
063	6120560	Pump nipple 3/4"		11.28
064	6281701	Circulat. pump + gasket		234.88
065	6226644	Spring clip for rotating connec		0.64
066	6087332	Motor for diverting valve	A	33.21
067	6226636	D.H.W. elektrovalve fix.spring		1.31
068	6319651	Flowmeter + sensor group	A	15.31
069	6319654	Shutter group	A	16.3
070	6319639	Filling cock		22.98
071	6013182	Automatic air vent	A	18.55
072	6319647	Circulateur top cover		0.0
075	6248876	Smoke outlet gasket ø80 mm		8.25
076	6326951	Rear insulation + springs		17.53
077	6326942	Gasket for burner flange		2.91
078	6326952	Front insulation		23.72
079	6326953	Sealing		15.98
081	6281759	Clapet sleeve group		0.0
082	6326950	Gasket for ignition electrode		1.42
083	6105168	Clapet gasket		0.0
085	6329482	Pump-fan CN13 connection		16.0
086	6329477	6 pole cable connector CN12		20.06
087	6323876	4 pole cable connector CN14		2.76
088	6329473	14 pole cable connector CN15		19.92
089	6325671	9 pole cable connector CN1		9.41
090	6329474	6 pole cable connector CN2		7.06
093	6281753	Peephole kit		0.0
094	6281754	Ignit.-ionis.elect.+ `asket kit	A	47.19
095	8076129	Burner + gasket kit		54.4
096	6281683	Main P.C.B + keys + knobs	A	171.11
700	5202356	Complete control panel		0.0
701	6316259	5 pole cable connector		13.52

A = Spare parts for minimum fittings