



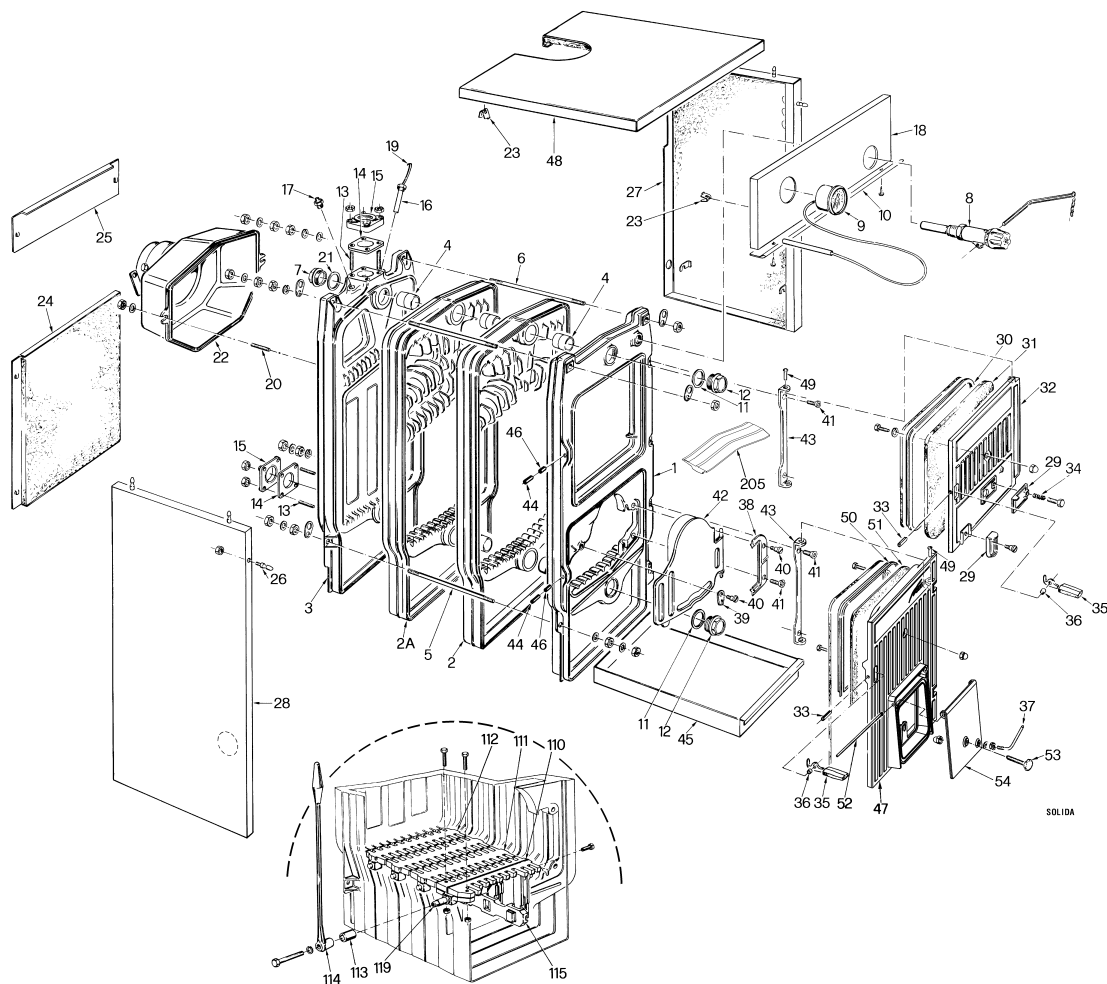
Fonderie Sime S.p.A. - Via Garbo, 27 - 37045 Legnago (VR) - www.sime.it  
 Tribunale Verona 13531 - R.E.A. VR 171357 - C.C.P. 19423375 - N° Mecc. VR 014435  
 Capitale Sociale Euro 5.521.200 int. versato - Codice Fiscale/Partita IVA n. IT 01275930236

Comfort Ambiente - Via Garbo, 27 - 37045 Legnago (VR)

Tel +39 0442 631111 - Fax Servizio Commerciale: Italia +39 0442 631291 - Estero +39 0442 631293

Fax Servizio Tecnico +39 0442 631292 - Fax Ufficio Acquisti +39 0442 631292 - Fax Amministrazione +39 0442 631336

8058403 CALD.POLICOMBUSTIBILE SOLIDA 4



Posiz.	Codice	Descrizione
001	6111401	Front section
002	6154101	Special intermediate section
002A	6111301	Intermediate section
003	6111201	Rear section
004	6000402	Push nipple 2"
005A	6000547	Lower tie-rod M10x395
006A	6000550	Upper tie-rod M10x460
007	2041000	Plug 1-1/2"
008	6112500	Draft regulator 3/4"
009	6001700	Thermometer 0-120°C
010	6114110	Protection from heat
011	2030231	Gasket Ø 42x55x2
012	2041001	Plug 1-1/4"
013	6000620	Stud M10x58
014	6012500	Piracriten square gasket
015	6180103	Square flange 100x100x2"
016	5064600	Bulb holder 1/2" L=50
017	2041051	Plug 1/2" Fig. 290
018	6117821	Casing front upper panel
019	2051000	Contact spring
020	6000601	Stud M10x45
021	2030224	Gasket Ø 47,3x61x2
022	5111500	Complete smoke chamber
023	2015000	Spring clip
024	6117703	Casing rear lower panel

025	6117603	Casing rear upper panel
026	2003000	Pin M5 Zn
027A	5107872	Casing right hand side panel
028A	5107972	Casing left hand side panel
029	6104302	Sight
030	6113000	Protection for loading door
031	6113300	Loading door glass wool insulat
032	6112802	Loading door
033	2060101	Spring pin Ø 7x40
034	2050000	Spring TDM
035	6113600	Knob
036	6003404	Spacer Ø 11x15
037	6113500	Draft regulator control arm
038	6111900	Hinge for front grate
039	6112000	Stop for front grate
040	6112401	Screw M8x6
041	2000320	Screw TSP M8x30
042	5129600	Front grate
043	6112101	Hinge for door
044	2060100	Spring pin Ø 6x32
045A	6111102	Ash tray
046	6003407	Bushing Ø 9x12
047	6112622	Combustion chamber door
048A	6117372	Casing top cover
049	6112201	Pin Ø 7
050	6112921	Protection for comb.chamb.door
051	6113201	Combustion chamber door insulat
052	6112300	Pin for primary air flap
053	6113400	Knob Ø 40 - M10x70
054	6112722	Air inlet door
110	6155551	Front fire bar
111	6155650	Intermediate fire bar
112	6155750	Rear fire bar
113	6157000	Hand lever bushing
114	6155801	Shaking lever
115A	6155952	Fire bars connecting rod
119	6235201	Hub for front fire bar
700	1232401	Glass fibre sealing cord Ø 10
701	5103601	Complete combustion chamber doo
702	5103700	Complete loading door
704	5104902	Grey complete casing SOLIDA 4
709	8075300	Cleaning tool set
710	6050900	Set boiler assembling tools