



**Lista Pezzi / Spare Parts / Ersatzteile**  
**List Onderdelen / Liste Pieces Detaches / Lista Piezas De Repuesto**

# **BLUEHELIX TECH RRT 24 C**

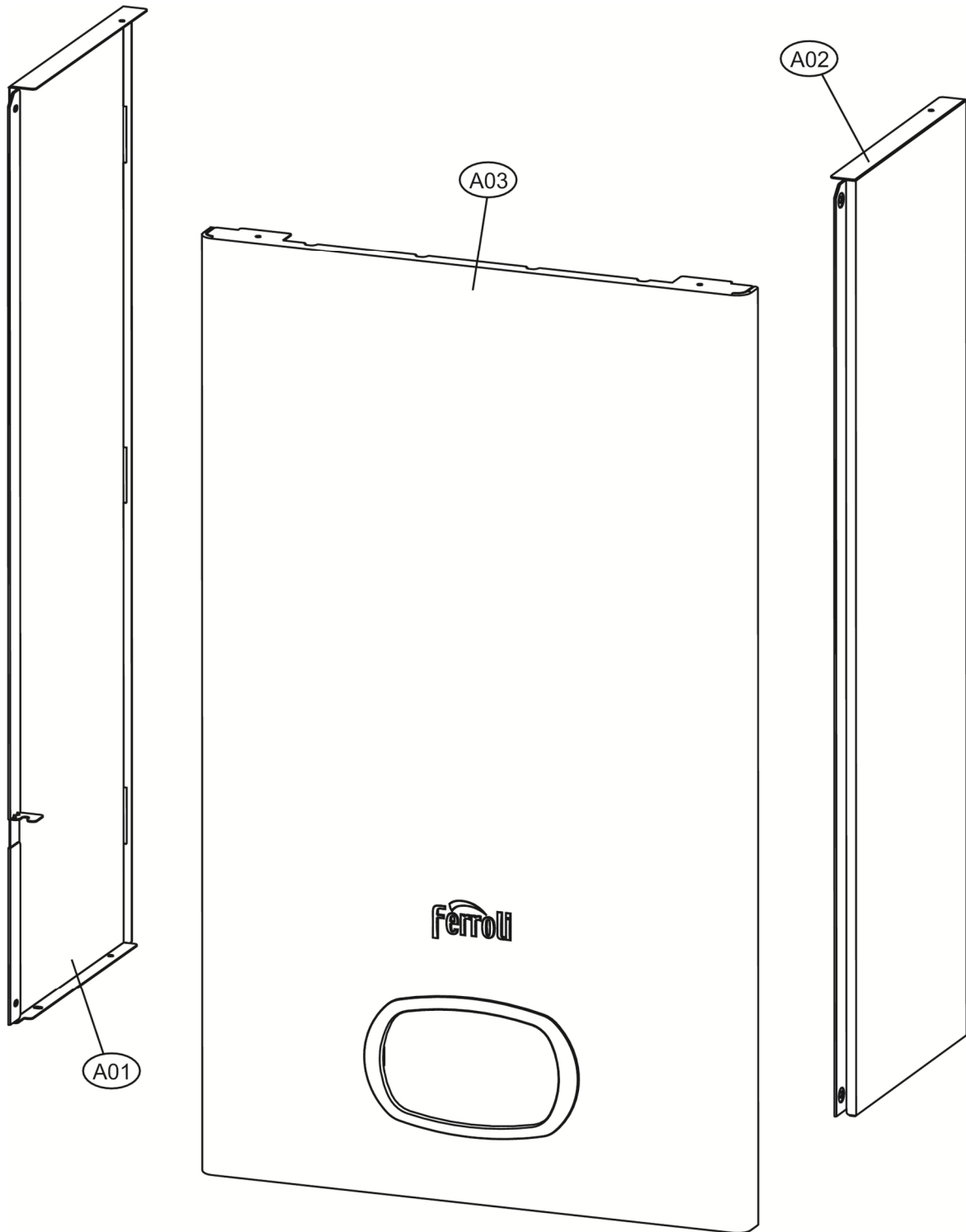


<b>CODICE</b>	<b>EDIZIONE</b>	<b>MERCATO</b>
<b>30K1549005</b>	<b>01/10/2018</b>	<b>IT-ES-RO</b>

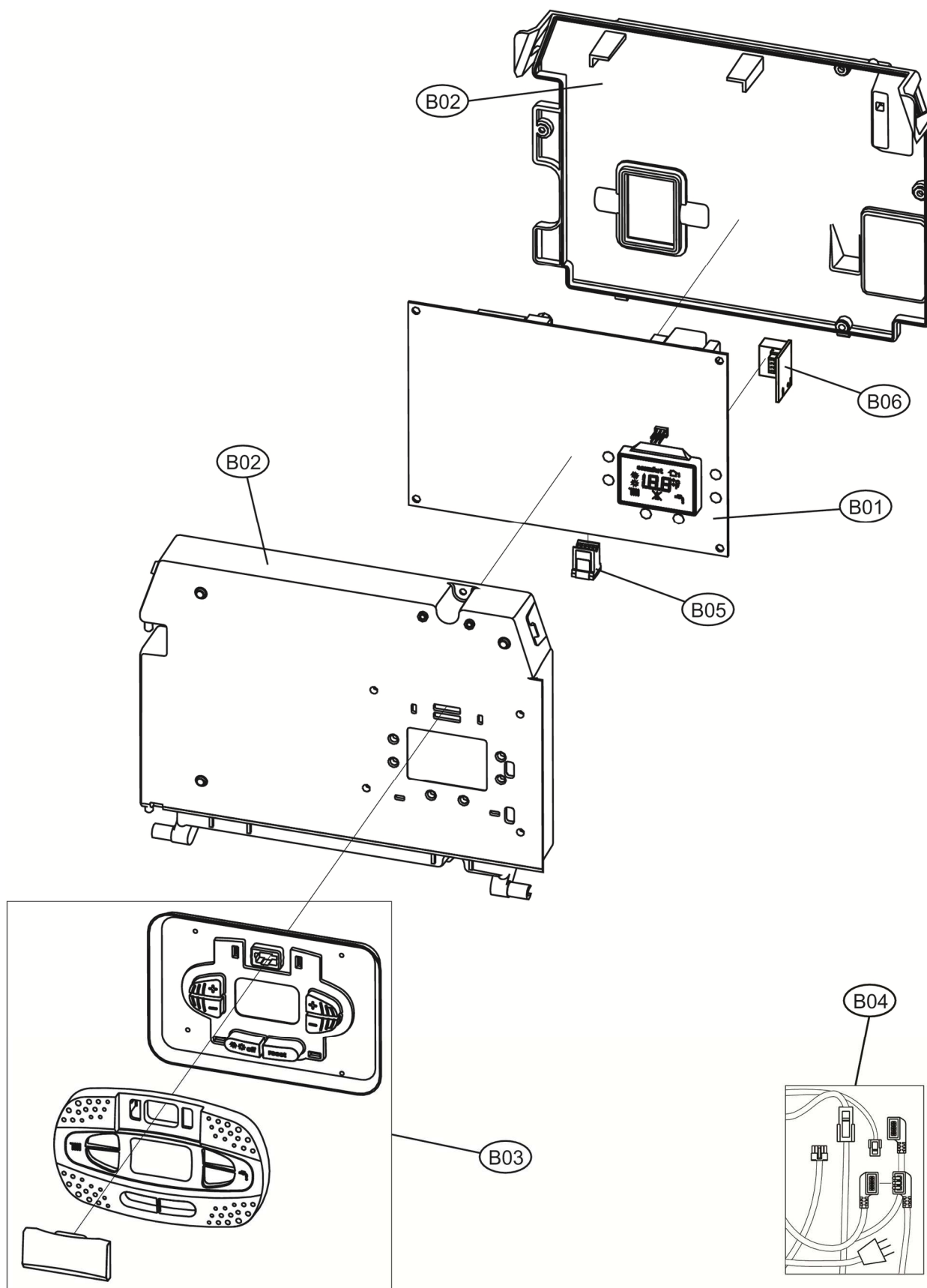


Lista Pezzi / Spare Parts / Ersatzsteile  
List Onderdelen / Liste Pieces Detaches / Lista Piezas De Repuesto

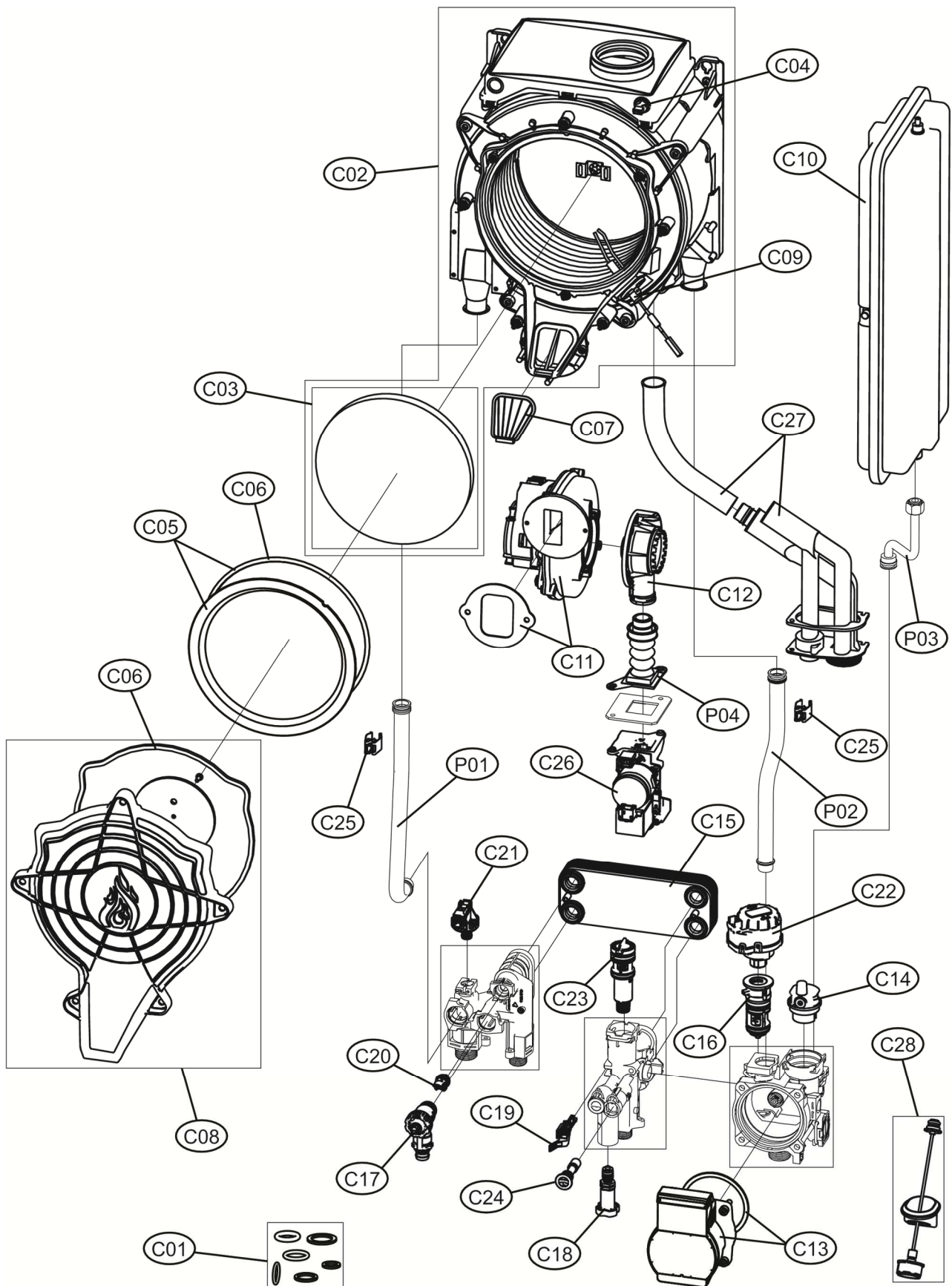
# BLUEHELIX TECH RRT 24 C



# BLUEHELIX TECH RRT 24 C



# BLUEHELIX TECH RRT 24 C





## BLUEHELIX TECH RRT 24 C

### LISTA PEZZI

POS.	CODICE	DESC.	QT.
A01	3980H740	KIT LEFT PANEL P250 (3111A870)	1.000
A02	3980H750	KIT RIGHT PANEL P250(3111A910)	1.000
A03	3980I420	KIT FRONT PAN.T3 FOL(3111C200)	1.000
B01	3980H731	KIT CONTROL AGC01 (36509641)	1.000
B02	3980H780	KIT WIRING BOX (35016890-900)	1.000
B03	3980I430	KIT FRONT COVER FOL (35017281)	1.000
B04	3980M150	KIT WIRING CABLES (3920H680)	1.000
B05	3980L180	KIT BCC SER.KEY 24KW(36509680)	1.000
B06	3980L290	KIT SCHEDA LC32 RRT (38330610)	1.000
C01	3980H920	KIT GASKET SET SR.T3B	1.000
C02	3980H850	KIT HEAT-EXCH.10.5 (39442800)	1.000
C03	3980H860	KIT INSULATOR H.EXC.(39442810)	1.000
C04	39845890	KIT SONDA TEMP.FUMI (36200831)	1.000
C05	3980H870	KIT BURNER PREMIX (32204221)	1.000
C06	3980H880	KIT GASKET SET BURNER SR.T3B	1.000
C07	3980E940	KIT GUARN.CLAPET (35104823)	1.000
C08	3980H890	KIT COVER BURNER (33307360)	1.000
C09	3980H900	KIT SPARKING PLUG (36703150)	1.000
C10	3980H820	KIT EXP.VESSEL 8L (36803650)	1.000
C11	3980H800	KIT FAN PX118 014 07(36602890)	1.000
C12	3980F630	KIT VENTURI VENT.D21(36602770)	1.000
C13	3980L530	KIT MOTOR TWP/6 RAST(39442772)	1.000
C14	3980H990	KIT AIR VENTING (39442510)	1.000
C15	3980I000	KIT P.H.E.10P+GASK. (39442520)	1.000
C16	3980I030	KIT 3W CARTRIDGE (39442550)	1.000
C17	3980I040	KIT SAFETY VALVE 3B (39442560)	1.000
C18	3980I050	KIT MANUAL FILLING (39442570)	1.000
C19	3980I060	KIT PCB-HALL"S SENS.(39442580)	1.000
C20	3980I070	KIT NTC SENSOR (39442590)	1.000
C21	3980I080	KIT PRESSURE SWITCH (39442600)	1.000
C22	3980I090	KIT 3W ACTUATOR (39442610)	1.000
C23	3980I100	KIT DHW CARTRID.10L (39442620)	1.000
C24	3980I130	KIT NON RETURN VALVE(39442650)	1.000
C25	39810220	KIT SONDA TEMP.RIT. (36200540)	1.000
C26	3980H830	KIT GAS VALVE CES10 (36803640)	1.000
C27	3980H840	KIT SIPHON FM.T3B0 (3841Q540)	1.000
C28	3980H910	KIT CH P.GAUGE D27 (36402720)	1.000
P01	34226832	PIPE COMB.CELL 10 - CH OUT	1.000
P02	34226822	PIPE COMB.CELL-PUMP	1.000
P03	3841Q482	PIPE BETWEEN EXP. VESSEL TWP	1.000
P04	35105590	RUBBER BELLOWS PIPE FOR V.G.	1.000