

VASO STORAGE 1

POLYWARM® COATED DOMESTIC HOT WATER ACCUMULATION TANK WITH 1 BLIND FLANGE



APPLICATION

Domestic hot water storage.

MATERIAL

Mild steel Polywarm® coated (Attestation ACS - SSICA - DVGW - W270 - WRAS)

INSULATION

- HARD: High thermal insulation with ecological polyurethane hard foam.

- SOFT: NOFIRE® polyester fleece 100% made of recyclable material, with high thermal insulation. Fire resistance class B-s2d0 according to EN 13501.

Grey PVC external lining.

CATHODE PROTECTION

Magnesium anode. Models > 1500 n° 2 magnesium anodes.

DRAIN

External confluence through drain connection. Models > 1000 external confluence through drain pipe.

GASKET- FLANGE PLATE

1 mounting flange

Silicone gaskets suitable for water intended for human consumption (tested according to 98/83/CE), max temperature up to 200°C. Mild steel inspection flange plate with Polywarm®.

WARRANTY

5 years - See general sales conditions and warranty

ACCESSORIES AND SPARE PARTS

See Accessories section for the entire list.

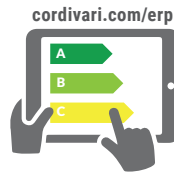
NEW



VASO STORAGE 1 WB

ENERGY EFFICIENCY CLASS

Model	HARD FOAM insulation	Art. Nr.	ErP
200		3072162360540	B
300		3072162360541	C
500		3072162360542	C
800		3072162360543	B
1000		3072162360544	C
1500		3072162360545	C
2000		3072162360546	B



On line ErP label tool



VASO STORAGE 1 WC

ENERGY EFFICIENCY CLASS

Model	DISMOUNTABLE SOFT FLEECE insulation	Art. Nr.	ErP
500		3072162360547	C
800		3072162360548	C
1000		3072162360549	C
1500		3072162360550	C
2000		3072162360551	C
2500		3072162360552	
3000		3072162360553	
4000		3072162360554	
5000		3072162360555	



ACCESSORIES

ELECTRIC IMMERSION HEATERS



Mod. Heated volume by electric immersion heater [lt]

200	49
300	76
500	127
800	178
1000	243
1500	288
2000	443
2500	577
3000	577
4000	797
5000	1040

MONOPHASE

1,5 kW	2 kW	3 kW
52400000000051	52400000000052	52400000000053
Ignition time from 10 °C to 45 °C with electric immersion heaters [min]		
87	65	44
136	102	68
228	171	114
318	239	159
436	327	218
516	387	258
793	595	396
1033	775	517
1033	775	517
1428	1071	714
1864	1398	932

THREEPHASE

4 kW	5 kW	6 kW	9 kW	12 kW
52400000000047	52400000000048	52400000000049	52400000000050	52400000000031
Ignition time from 10 °C to 45 °C with electric immersion heaters [min]				
//	//	//	//	//
//	//	//	//	//
//	//	//	//	//
//	//	//	//	//
163	131	109	73	54
194	155	129	86	65
297	238	198	132	99
387	310	258	172	129
387	310	258	172	129
535	428	357	238	178
699	559	466	311	233

"Easy Control" Electronic Display-mounted on tank

ART. NR.	FOR MODELS
5005000310002	WXC
5005000310003	WXB



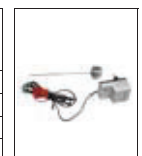
Thermometer

Art. Nr.
5032240000107
5 units box



Titanium electronic anode

Art. Nr.	Model
5200000000008	200, 300
5200000000009	500, 800
5200000000011	1000, 1500
5200000000013	2000÷5000



VASO STORAGE 1

POLYWARM® COATED DOMESTIC HOT WATER ACCUMULATION TANK WITH 1 BLIND FLANGE

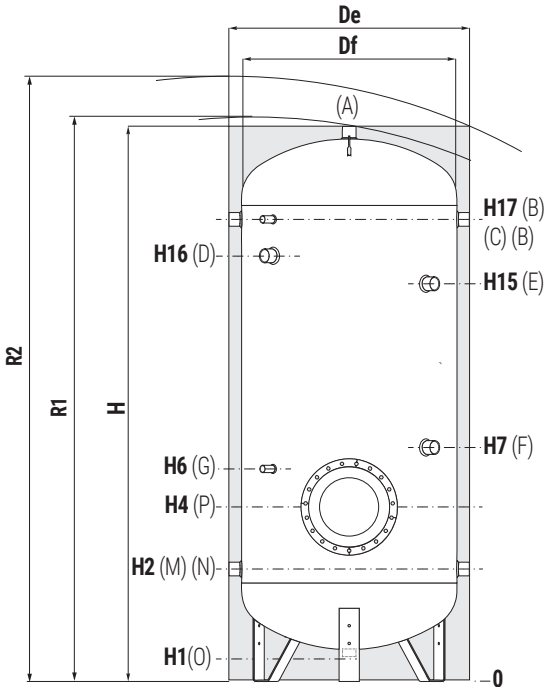
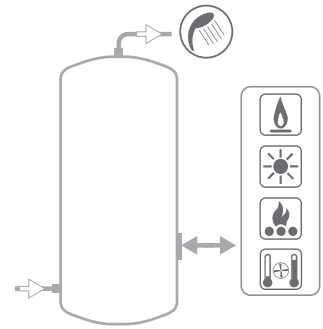
EXTRA CALORIFIERS
AND DHW
ACCUMULATION TANKS

STORAGE		
Model	Pmax	Tmax
200 ÷ 1000	8 bar	90 °C
1500 ÷ 5000	6 bar	



CORDIVARI Lab

TÜV Rheinland Energie und Umwelt GmbH states that test procedures and Cordivari LAB are certified conforming to European standard EN 15332, as indicated by Ecodesign ErP Directive.

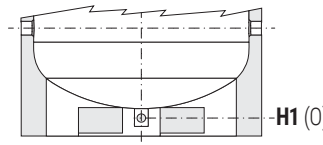
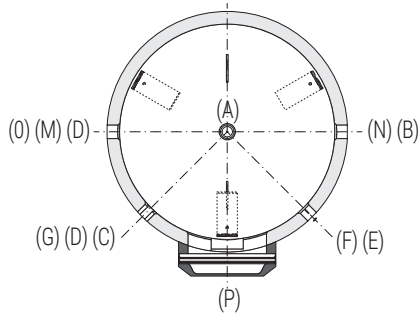


COMPLETE YOUR SYSTEM WITH THE NEW PRS MODULE (FOR IMMEDIATE DHW PREPARATION)



SEE HYDRONIC SECTION

- A** Domestic hot water outlet
- B** Recirculation / Domestic hot water outlet
- C** Connection for instrumentation 1/2" F
- D** Connection for electric immersion heater 1"1/2 F For models > 800 connection 2" F
- E** Connection for 2nd magnesium anode 1"1/4 F (only for models > 1500)
- F** Connection for magnesium anode 1" 1/4 F
- G** Connection for instrumentation 1/2" F
- M** Domestic cold water circuit inlet
- N** Alternative domestic cold water circuit inlet or connection for more boilers
- O** Drain 1" 1/4 F. For model 1000 connection 1"1/2 F Drain 1" F (only for models > 1000)
- P** Flange



Models from 1500 to 5000 have two grips on the bottom which allow the use of forklift when handling and drain pipe already fitted.

VASO STORAGE 1 WB - HARD FOAM INSULATION

Model	Volume Weight		De	H	R1	H1	H2	H4	H6	H7	H15	H16	H17	P	B-M-N		A
	[lt]	[kg]													Conn. F		
200	191	51	550	1449	1560	85	325	410	520	650	//	1075	1185	Øi220/Øe300	1" 1/4	1" 1/4	1" 1/4
300	292	64	650	1499	1640	85	350	435	545	735	//	1100	1210	Øi220/Øe300	1" 1/4	1" 1/4	1" 1/4
500	500	89	750	1800	1960	85	375	460	570	760	//	1329	1485	Øi220/Øe300	1" 1/4	1" 1/4	1" 1/4
800	794	149	900	2135	2330	85	405	540	690	870	//	1610	1765	Øi300/Øe380	1" 1/4	1" 1/2	1" 1/2
1000	1042	170	1000	2221	2450	105	458	593	743	993	//	1664	1818	Øi300/Øe380	1" 1/2	2"	2"
1500	1445	231	1100	2415	2660	109	440	675	825	1075	//	1895	2050	Øi300/Øe380	1" 1/2	2"	2"
2000	1978	367	1300	2492	2820	91	467	692	867	842	1952	1877	2057	Øi350/Øe430	2"	2"	2"

VASO STORAGE 1 WC - DISMOUNTABLE SOFT FLEECE INSULATION

Model	Volume Weight		De	DF	H	R1	R2	H1	H2	H4	H6	H7	H15	H16	H17	P	B-M-N		A
	[lt]	[kg]															Conn. F		
500	500	94	870	650	1891	1998	2090	101	416	501	611	801	//	1370	1526	Øi220/Øe300	1" 1/4	1" 1/2	1" 1/2
800	792	147	970	750	2188	2220	2400	113	433	568	718	898	//	1638	1793	Øi300/Øe380	1" 1/4	1" 1/2	1" 1/2
1000	1041	167	1070	850	2242	2270	2490	101	454	589	739	989	//	1660	1814	Øi300/Øe380	1" 1/2	2"	2"
1500	1443	228	1210	950	2440	2495	2730	109	440	675	825	1075	//	1895	2050	Øi300/Øe380	1" 1/2	2"	2"
2000	1975	352	1360	1100	2492	2570	2850	91	467	692	867	842	1952	1877	2057	Øi350/Øe430	2"	2"	2"
2500	2311	366	1350	1250	2311	2480	2690	140	551	776	951	976	1816	1732	1891	Øi350/Øe430	2"	2"	2"
3000	2917	432	1350	1250	2811	2950	3130	140	551	836	1011	1036	2316	2232	2391	Øi350/Øe430	2"	2"	2"
4000	3765	555	1500	1400	2875	3050	3250	114	570	855	1030	1035	2315	2238	2410	Øi350/Øe430	2"	2"	2"
5000	4979	732	1700	1600	2915	3130	3380	94	580	855	1030	1035	2335	2265	2420	Øi350/Øe430	2"	2"	2"